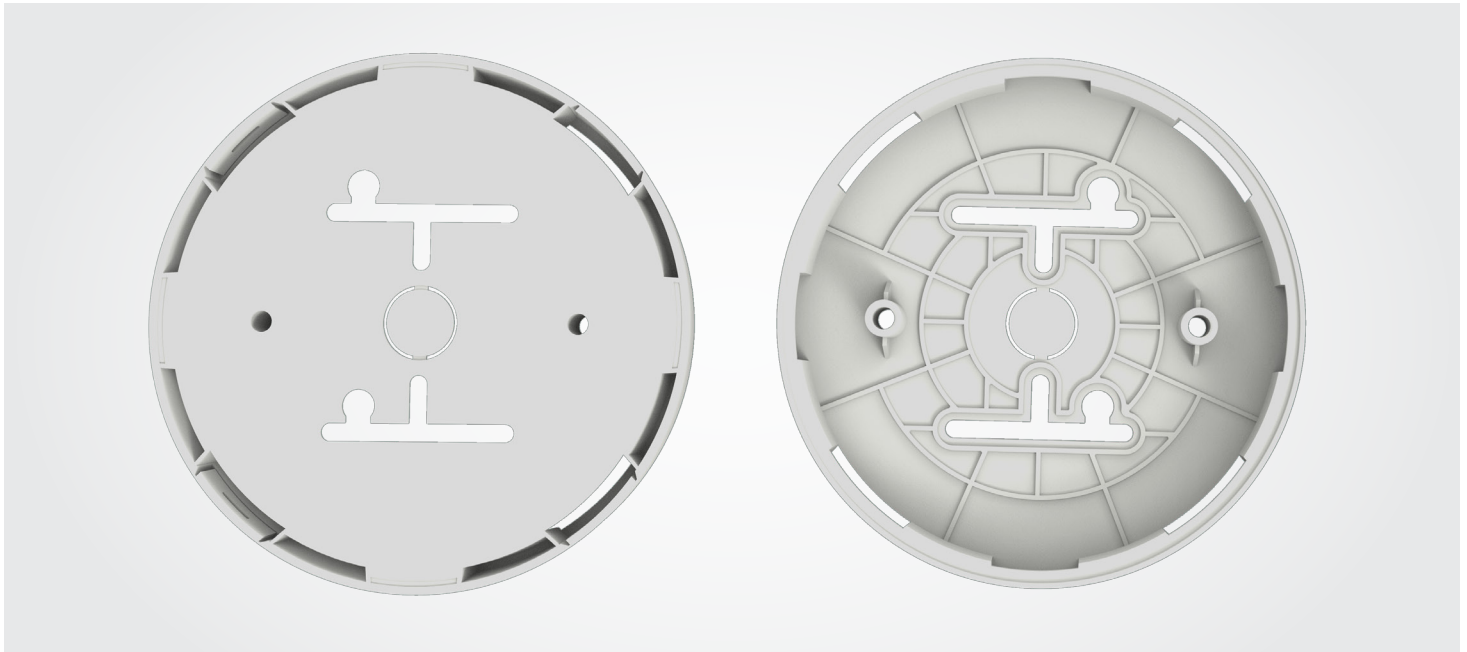


SMOKE ALARM SURFACE MOUNT BASE



SURFACE MOUNT BASE

The Emerald Surface Mount Base is intended for use with Emerald 240V or Hybrid smoke alarms. When you insert the AC-powered cord into the conduit/slot, it can pass through the wiring base in any direction, ensuring a clean circuit setup. The direction of the power cord does not restrict alarm installation.

FEATURES

- Compatible with Emerald 240V or Hybrid smoke alarms
- Allows for versatile power cord insertion
- Ensures a clean circuit setup
- No installation restrictions on power cord direction

SPECIFICATIONS

MODEL NUMBER	SAASM
ENVIRONMENTAL STANDARDS	RoHS, REACH
PRODUCT SIZE	φ145.4×32.3mm
PRODUCT WEIGHT	82.5g

